

RE80 SELECTORIZED SERIES

RE8035 - ABDOMINAL CRUNCH



PRODUCT OVERVIEW

The RE8035 is a selectorized strength machine designed specifically for abdominal and core training. It features extra-long, rubber-coated handles that provide a secure and comfortable grip without requiring excessive shoulder flexion—helping to prevent spinal extension caused by limited shoulder mobility and ensuring consistent abdominal engagement.

A small rear support pad is angled to match the natural posterior pelvic tilt during crunching movements, providing stable support for the pelvis while aligning with the functional path of the abdominal muscles.

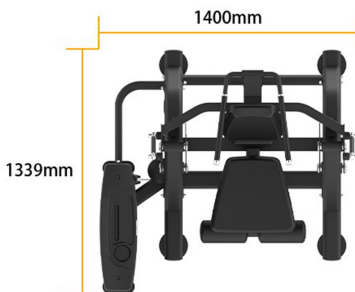
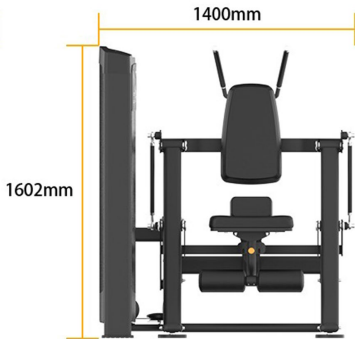
The wide seat offers generous legroom and strong lower-body support to minimize unwanted hip movement. With three adjustable seat angles, the RE8035 allows users to effectively target the rectus abdominis, internal obliques, and external obliques for comprehensive core development.

Moderately firm leg pads provide comfortable support while stabilizing the lower body and locking in the optimal hip angle. The machine's linkage-driven moving arms follow a natural spinal curve, enhancing abdominal isolation and improving the feel of each rep.

SPECIFICATIONS & KEY FEATURES

Specifications

Dimension:	1339*1400*1602mm
Total Weight:	285kg
Weight Stack:	100kg
Max Weight Stack:	117.5kg



Product Features



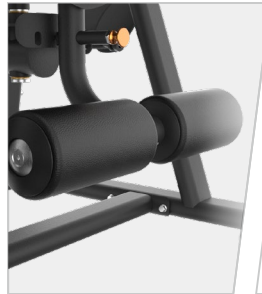
Extra-Long Handles

Allow for an easy, comfortable grip without stressing the shoulders, ensuring consistent spinal position and optimal abdominal activation.



Three-Position Adjustable Wide Seat

Rear pelvic pad stabilizes the pelvis, while the wide seat supports the thighs fully. Three seat angles allow for varied motion paths to target different abdominal muscles.



Comfortable Leg Support System

Firm yet cushioned leg pads enhance user comfort and help fix the hip position for better core stability.



Linkage-Driven Motion Arms

Designed to follow the natural curvature of the spine, providing smooth motion and maximizing abdominal isolation.