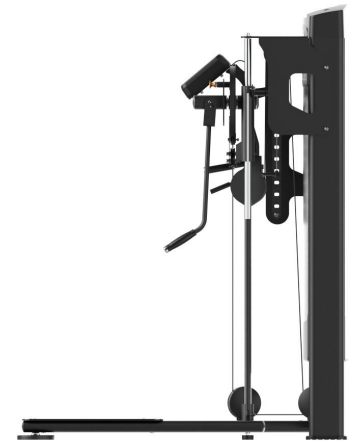
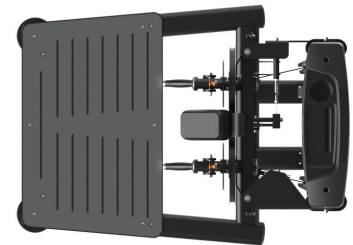


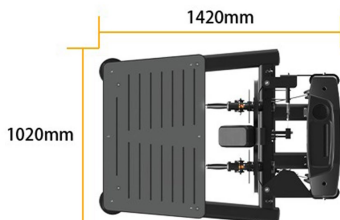
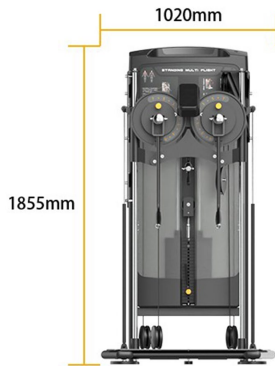
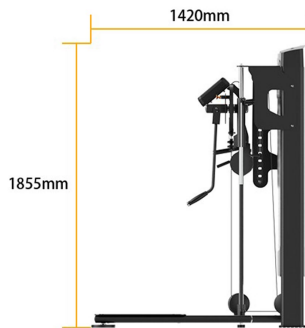
RE80 SELECTORIZED SERIES**RE8034 - STANDING MULTI FLIGHT****PRODUCT OVERVIEW**

Introducing the Multi-Function "Flye" Trainer, specifically designed for pectoral and deltoid development. With 14-position height adjustment and 13-position adjustment disc, this machine becomes a complete sculpting tool for chest and shoulder muscles. Use it for decline flies, standing lateral raises, bent-over lateral raises, and more. The machine features 5mm high-strength "seven-strand nine-line" cables for superior wear resistance and durability.

SPECIFICATIONS & KEY FEATURES

Specifications

Dimension:	1420*1020*1855mm
Total Weight:	286kg
Weight Stack:	100kg
Max Weight Stack:	117.5kg



Product Features



Master Sculptor for Chest and Shoulders

14-position adjustable pivot height and 13-position adjustment disc handle everything from flies to lateral raises to bent-over variations. The pivot point's head pad provides optimal support during bent-over flye movements, while our self-rotating handle covers prevent friction discomfort between handles and palms.



Arc-Movement Pattern, Ergonomic Masterpiece

The machine employs arc-shaped movement patterns fully aligned with shoulder joint anatomy and movement trajectories, making every lateral raise safer, more scientific, and more comfortable. This represents our respect for your body and commitment to training effectiveness.



Cable System's Power Aesthetics, High-Strength Promise

5mm diameter cables feature "seven-strand nine-line" high-strength configuration paired with high-flexibility oil-impregnated steel wire. The exterior uses imported PA material for superior wear and cold resistance, with 9000N breaking strength for lasting durability. This cable system becomes your reliable partner in chest and shoulder training.



Precision Weight Stack Engineering, Professional Training Assurance

Utilizing a high-density cast iron weight stack system with specialized black textured powder coating for premium feel. The weight progression is precisely calibrated to meet professional training progression needs. Special protective coating ensures wear and corrosion resistance, providing lasting durability for professional training.