

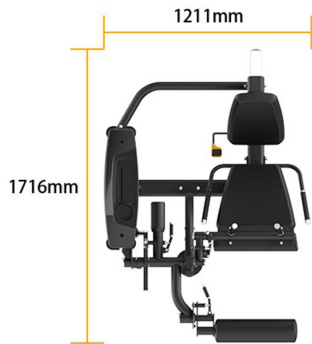
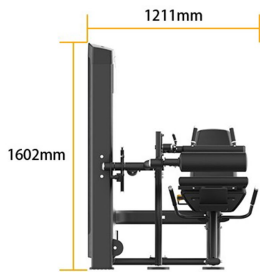
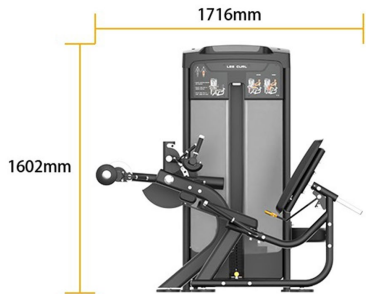
RE80 SELECTORIZED SERIES**RE8013 - SEATED LEG CURL****PRODUCT OVERVIEW**

Engineered specifically for hamstring development, featuring ingenious multi-position adjustment discs and joint pivot design that delivers custom-fit comfort and muscle engagement for all body types. Quick-adjust seat functionality maintains training momentum without dismounting. The pulley precision weight system ensures perfectly calibrated resistance.

SPECIFICATIONS & KEY FEATURES

Specifications

Dimension	1716*1211*1602mm
Total Weight:	256kg
Weight Stack:	105kg
Max Weight Stack:	117.5kg

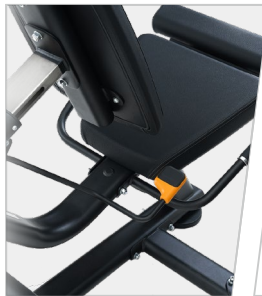


Product Features



Precision Adjustment, Biomechanical Excellence

Extensive biomechanical testing has created the perfect synergy of multi-position adjustment disc, 8-position backrest, and 5-position leg pad adjustment systems. These three systems ensure every user, regardless of flexibility or body type, experiences custom-fitted training sensation.



Quick-Adjust Seat Handle, Time and Energy Efficient

The seat quick-adjustment handle allows effortless backrest adjustment without leaving the machine, saving time and improving efficiency for smoother training flow. Essential for those intense giant set training sessions!



Split-Design Seat Pad, Superior Support

The two-section seat design features a thickened front section slightly elevated above the rear, providing ample support behind the knee joint, ensuring stability and safety while reducing discomfort. This detailed design allows you to pursue strength gains while enjoying unparalleled comfort.



Precise Knee Joint Pivot, Enhanced Contraction

Through extensive data sampling and biomechanical testing, we've identified the optimal pivot point position that perfectly aligns with the knee joint's movement axis, maximizing your hamstring training efficiency.