

RE80 SELECTORIZED SERIES

RE8001 - ISO-LATERAL CHEST PRESS



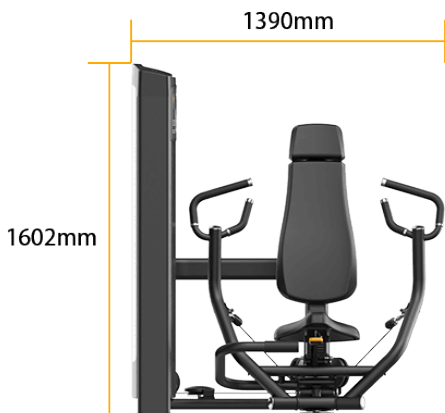
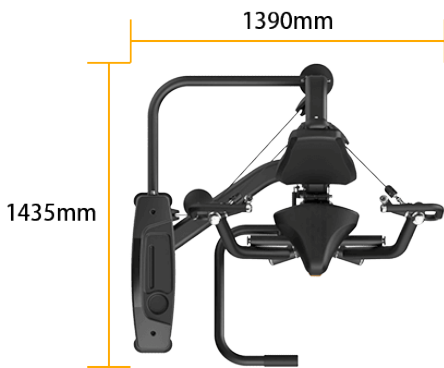
PRODUCT OVERVIEW

Introducing the Independent Convergence Chest Press - revolutionizing your chest training experience. Featuring a dual-handle design with precisely engineered horizontal and vertical grips that perfectly align with your shoulder joint's natural movement pattern. Experience ultimate chest muscle engagement while enjoying effortless single-handed seat adjustments through our advanced pneumatic system.

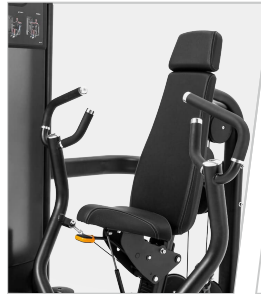
SPECIFICATIONS & KEY FEATURES

Specifications

Dimension	1435*1390*1602mm
Total Weight:	236.5kg
Weight Stack:	105kg
Max Weight Stack:	117.5kg

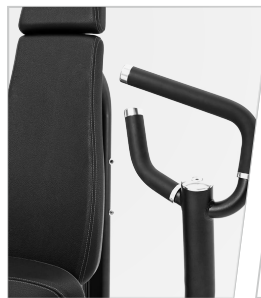


Product Features



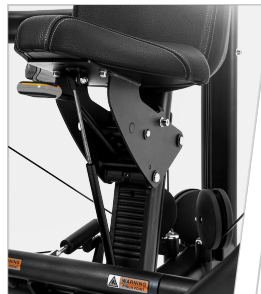
Independent Movement Architecture , Precise Muscle Activation

The innovative independent arm system delivers the ultimate solution for unilateral chest training. Unique convergence path design enables maximum chest muscle contraction through complete range of motion, ensuring optimal muscle fiber recruitment and engagement.



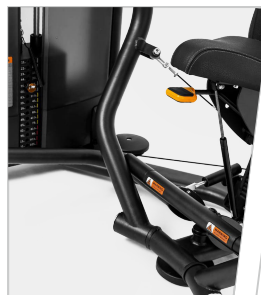
Ergonomic Dual-Handle System, Superior Muscle Targeting

The biomechanically engineered dual-handle system features precisely angled horizontal grips that effectively stabilize shoulder blade positioning, preventing shoulder rolling and chest collapse. The vertical handles focus on targeting mid and lower chest regions while minimizing triceps engagement, ensuring laser-focused muscle activation with every rep.



Smooth Seat Adjustment, Effortless Position Customization

Equipped with a precision-engineered rack-and-pinion system and professional-grade pneumatic support, the seat height adjusts effortlessly with just one hand. This user-centric design allows every athlete to quickly find their optimal training position, delivering a truly professional workout experience.



Assisted Footplate System, Enhanced Safety Protocol

The innovative assisted footplate system reduces shoulder stress during exercise initiation, minimizing injury risk at the start of each movement. This thoughtful feature allows users to focus purely on their chest training while providing crucial support during muscle failure, ensuring a safe and effective workout experience throughout each session.